

BEFORE USE

Thank you for choosing M-System. Before use, please check contents of the package you received as outlined below. If you have any problems or questions with the product, please contact M-System's Sales Office or representatives.

■ PACKAGE INCLUDES:

Discrete input extension module.....(1)

■ MODEL NO.

Confirm that the model number described on the product is exactly what you ordered.

■ INSTRUCTION MANUAL

This manual describes necessary points of caution when you use this product, including installation,

POINTS OF CAUTION

■ POWER INPUT RATING & OPERATIONAL RANGE

- Locate the power input rating marked on the product and confirm its operational range as indicated below:
24V DC rating: 24V ±10%, approx. 10mA

■ GENERAL PRECAUTIONS

- Before you remove the unit or mount it, turn off the power supply and input signal for safety.

■ ENVIRONMENT

- Indoor use
- When heavy dust or metal particles are present in the air, install the unit inside proper housing with sufficient ventilation.
- Do not install the unit where it is subjected to continuous vibration. Do not subject the unit to physical impact.
- Environmental temperature must be within 0 to 55°C (32 to 131°F) with relative humidity within 30 to 90% RH in order to ensure adequate life span and operation.

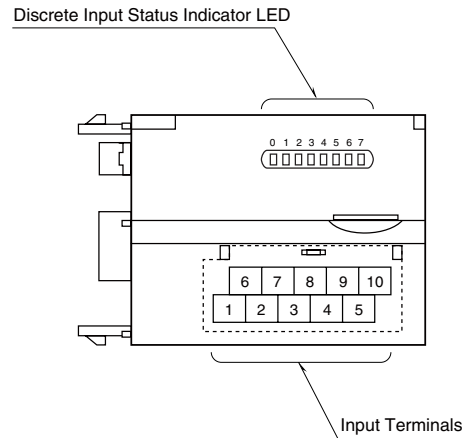
■ WIRING

- Do not install cables close to noise sources (relay drive cable, high frequency line, etc.).
- Do not bind these cables together with those in which noises are present. Do not install them in the same duct.

■ AND

- The unit is designed to function as soon as power is supplied, however, a warm up for 10 minutes is required for satisfying complete performance described in the data sheet.

COMPONENT IDENTIFICATION



■ DISCRETE INPUT STATUS INDICATOR LED

Discrete input modules including those for extensions have LED indicators showing input signal status.

- Contact ON : LED ON
- Contact OFF : LED OFF

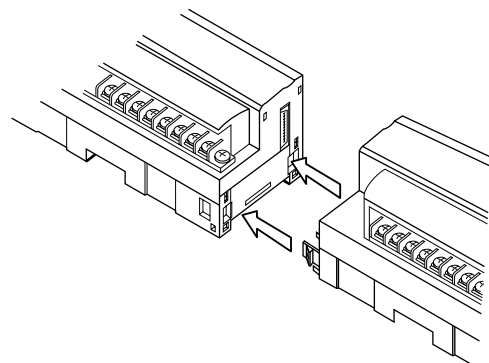
■ INPUT TERMINAL ASSIGNMENT

| | | | | |
|-----|----|----|----|----|
| 6 | 7 | 8 | 9 | 10 |
| NC | X1 | X3 | X5 | X7 |
| 1 | 2 | 3 | 4 | 5 |
| COM | X0 | X2 | X4 | X6 |

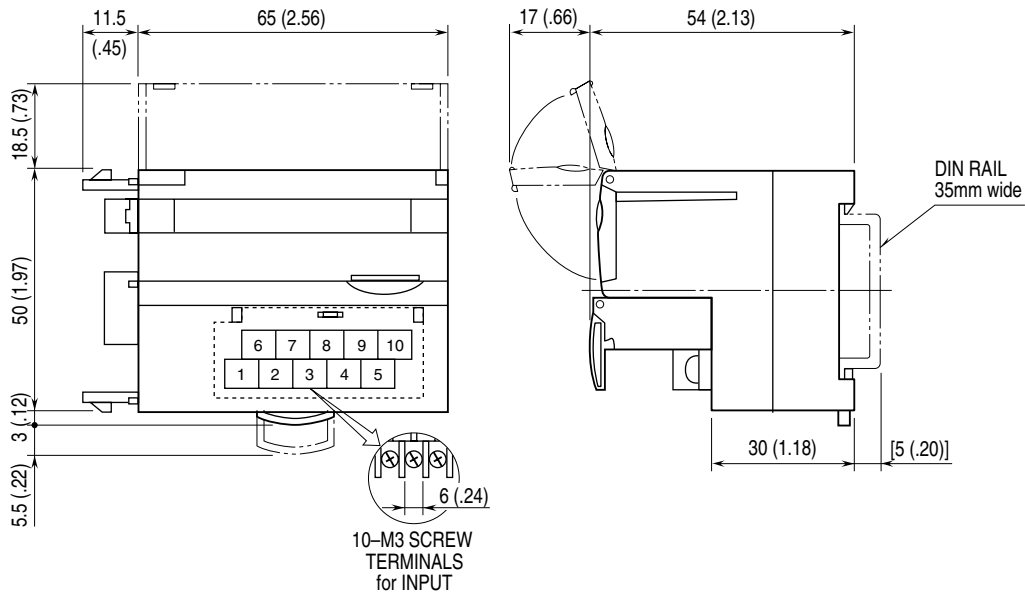
| NO. | ID | FUNCTION | NO. | ID | FUNTION |
|-----|-----|----------|-----|----|---------------|
| 1 | COM | Common | 6 | NC | No Connection |
| 2 | X0 | Input 0 | 7 | X1 | Input 1 |
| 3 | X2 | Input 2 | 8 | X3 | Input 3 |
| 4 | X4 | Input 4 | 9 | X5 | Input 5 |
| 5 | X6 | Input 6 | 10 | X7 | Input 7 |

CONNECTING THE EXTENSION MODULE

- 1) Remove the extension connector cover located at the side of the basic module.
- 2) Connect the extension module.
- 3) Mount the combined module on a DIN rail.

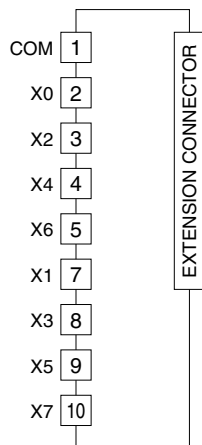


EXTERNAL DIMENSIONS UNIT: MM (INCH)



CONNECTION DIAGRAM

Connect the unit as in the diagram below.



WIRING INSTRUCTIONS

■ SCREW TERMINAL

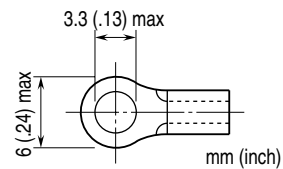
Torque: 0.5 N·m

■ SOLDERLESS TERMINAL mm (inch)

Refer to the drawing below for recommended ring tongue terminal size. Spade tongue type is also applicable. Solderless terminal:

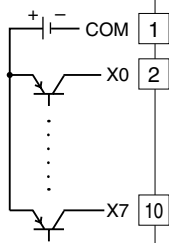
Applicable wire size: 0.25 to 1.65 mm² (AWG 22 to 16)

Recommended manufacturer: Japan Solderless Terminal MFG. Co., Ltd, Nichifu Co., Ltd

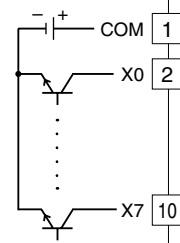


■ Input Connection Examples

PNP Connection



NPN Connection



I/O DATA DESCRIPTION

■ DISCRETE INPUT

